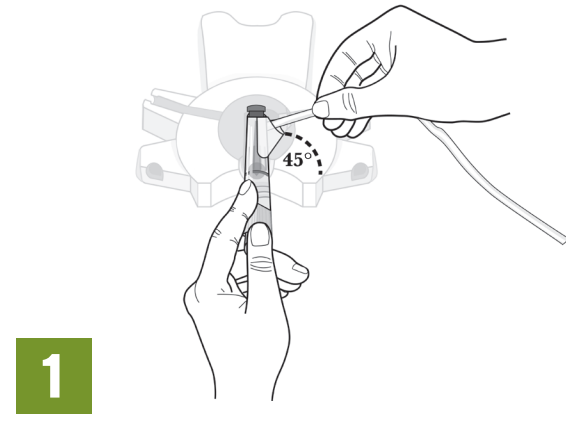


# stay•safe® Connection and Disconnection Procedure for Automated Peritoneal Dialysis (APD)

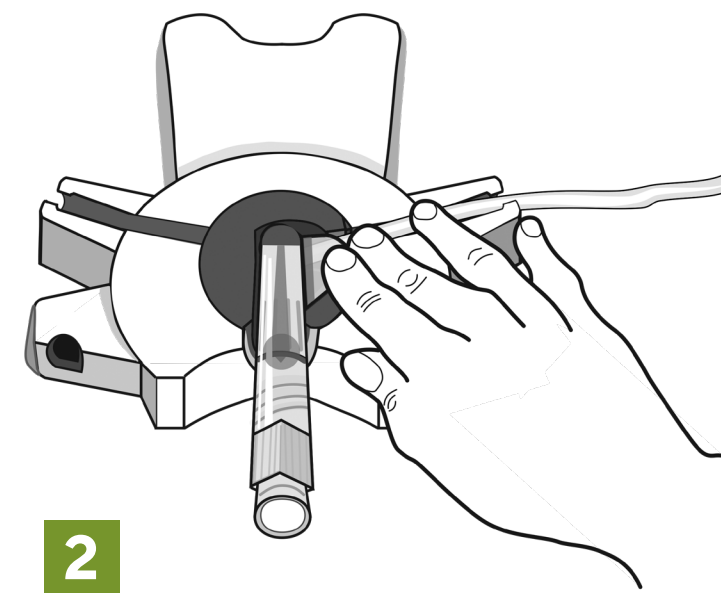
## CONNECTION with stay•safe® PIN technology



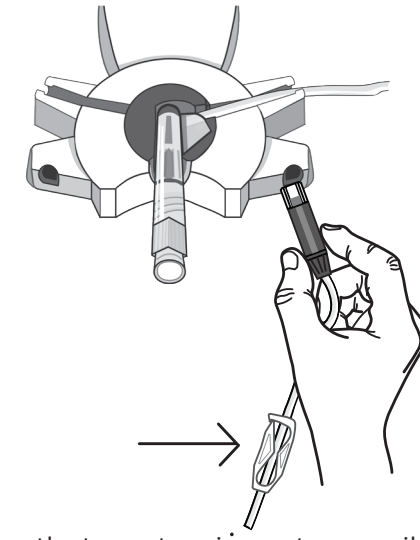
- Aseptic technique must be used throughout connection and disconnection steps to reduce the possibility of infection.
- Mask face and wash hands (per facility protocol).



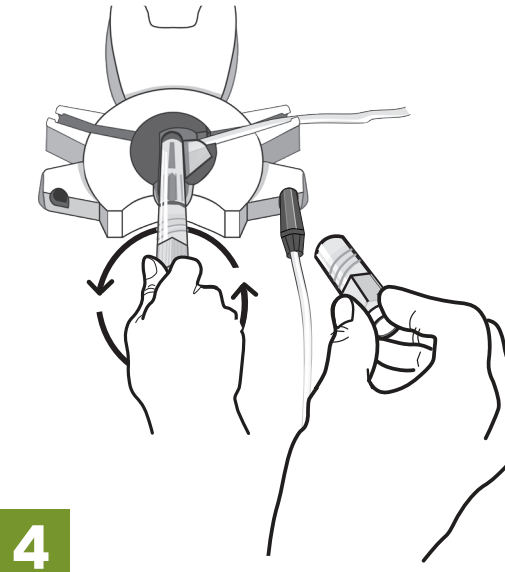
- Insert the PIN connector at a 45-degree angle into the opening of the stay•safe organizer clip.
  - Press down on the PIN connector to ensure a snug fit in the stay•safe organizer clip.



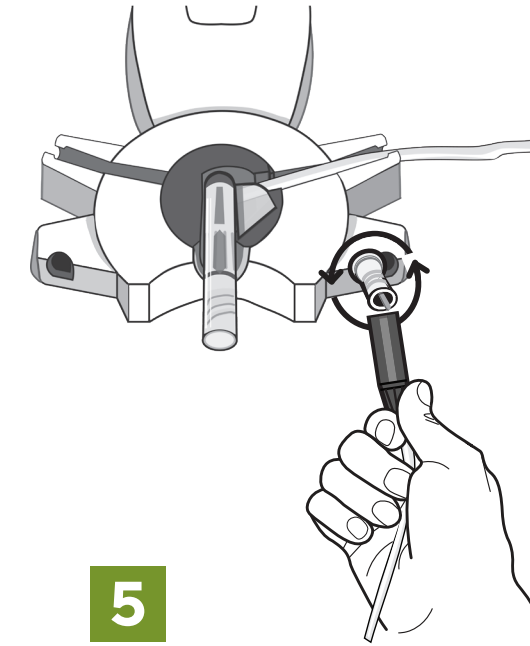
- Press the patient line into the right tubing channel of the organizer.



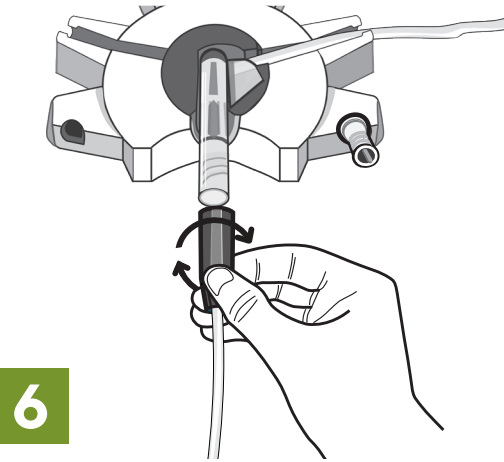
- Make the catheter extension set accessible.
  - Be sure the catheter extension set clamp is closed.
  - Place the end of the catheter extension set into the right notch of the organizer.



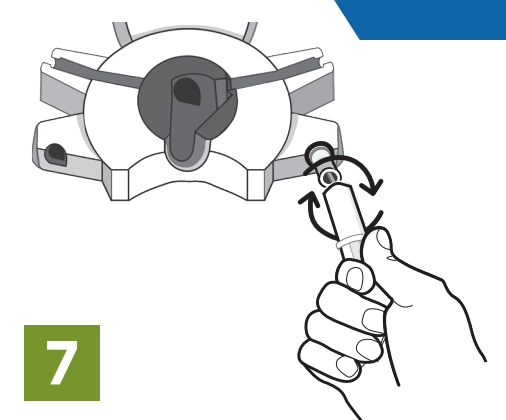
- Clean hands.
  - Holding the flat gripping surface, unscrew the cap and set aside.



- Unscrew the catheter extension set from the stay•safe cap.

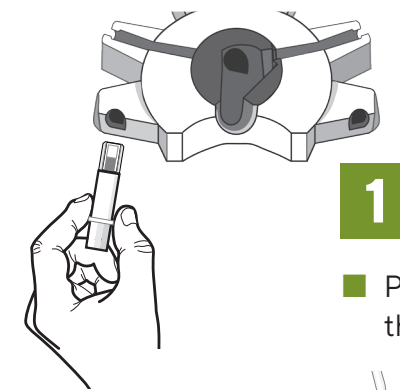


- Connect the catheter extension set to the PIN connector.
  - Open the blue clamp on the patient line and the white clamp on the catheter extension set.
  - Remove the PIN connector from the organizer.

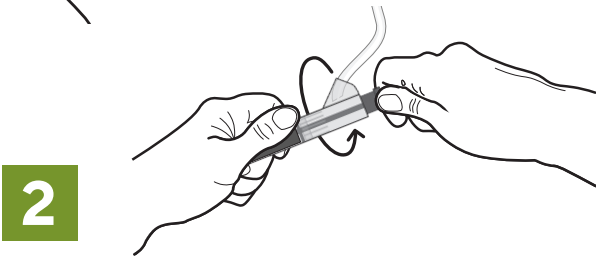


- Place the cap on the used stay•safe cap and discard it.
  - Follow steps on the cyclor screen to begin your treatment.
  - Do not turn or push the blue button on the PIN connector at any time during your treatment, unless instructed to do so.
  - You may now remove your mask.

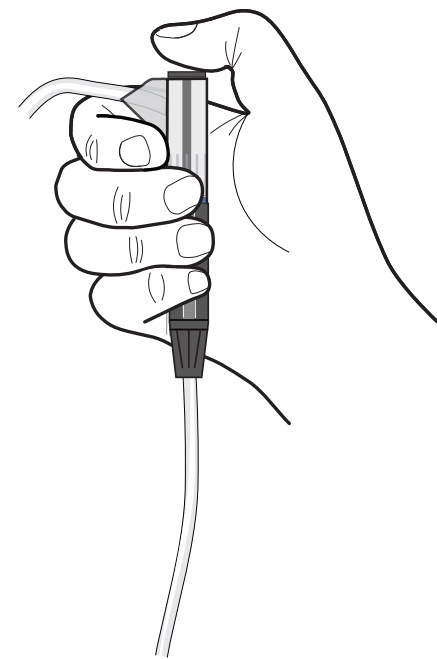
## DISCONNECTION with stay•safe® PIN technology



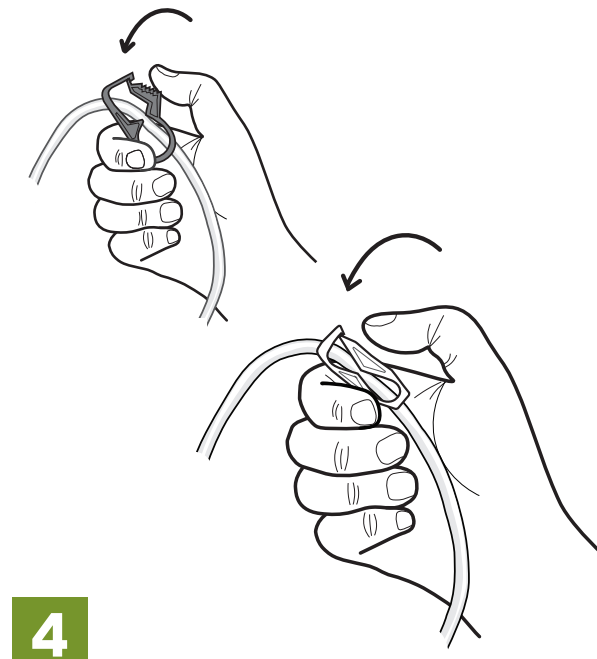
- Place a new stay•safe cap in the left notch of the organizer.



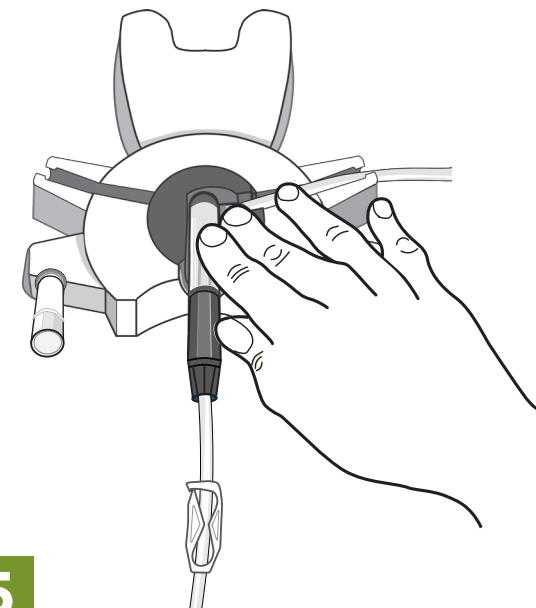
- Ensure the blue clamp on the patient line and the white clamp on the catheter extension set are open. Turn the blue button on the PIN connector ¼ turn clockwise to unlock.



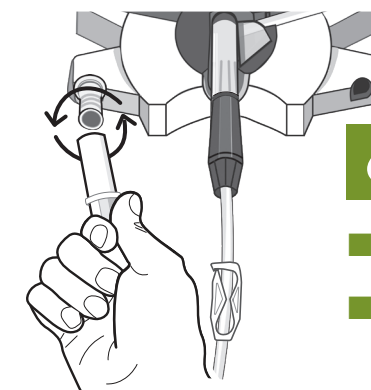
- Push the blue button to insert the PIN into the catheter extension set.



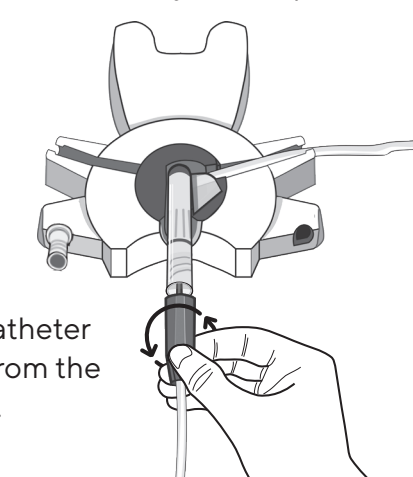
- Close the blue clamp on the patient line and white clamp on the catheter extension set.



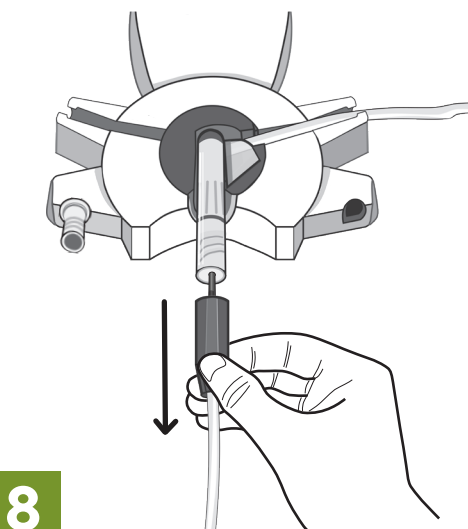
- Insert the PIN connector connected to the catheter extension set into the stay•safe clip of the organizer.



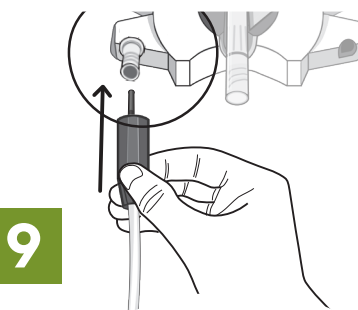
- Clean hands.
  - Remove the protective cover from the stay•safe cap and set aside.



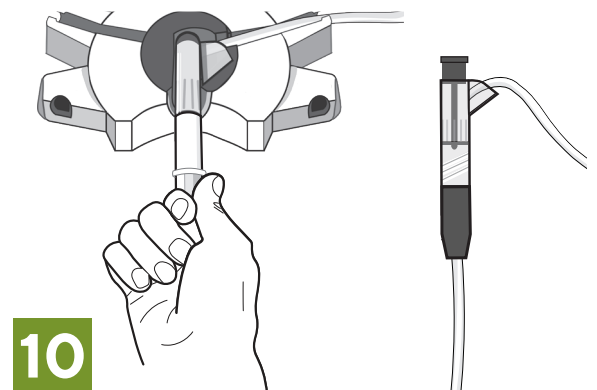
- Unscrew the catheter extension set from the PIN connector.



- Carefully pull the catheter extension set away from the PIN connector without bending or twisting the PIN.
  - Hold the catheter extension set up slightly—be sure the PIN is visible.



- Connect the catheter extension set to the new stay•safe cap.
  - Press into the stay•safe cap while turning the catheter extension set to the right.
  - Remove the catheter extension set from the organizer notch. Make sure the cap is tight.



- Place the protective cover from the stay•safe cap on the PIN connector and discard.

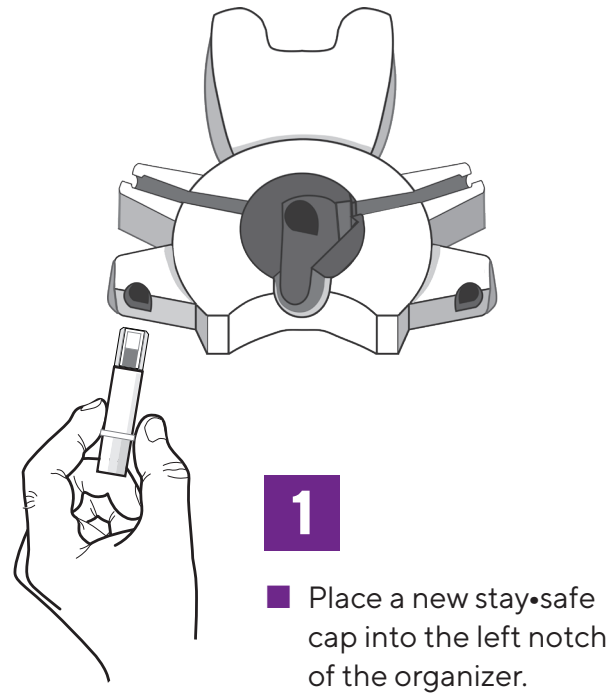
Read the Instructions for Use for safe and proper use of this device. For a complete description of hazards, contraindications, side effects, and precautions, see full package labeling at [www.fmcna.com](http://www.fmcna.com).  
The Multiple Tubing Segment (MTS) Set with stay•safe PIN Connectors is indicated for use by patients with acute and chronic end-stage renal disease undergoing peritoneal dialysis (PD) in a healthcare facility or at home. The MTS Set is placed during set-up to make additional connections to the cyclor set when prescribed or when an interruption in treatment is necessary.  
**Caution:** Federal (US) law restricts this device to sale by or on the order of a physician.  
© 2003–2021 Fresenius Medical Care. All Rights Reserved. Fresenius Medical Care, the triangle logo, NxStage, and stay•safe are trademarks of Fresenius Medical Care Holdings, Inc. or its affiliated companies. All other trademarks are the property of their respective owners. P/N 100291-01 Rev On 11/2021

# stay•safe® Connection and Disconnection Procedure for Automated Peritoneal Dialysis (APD)

## Disconnection using Integrated Cycler Sets and/or MTS using stay•safe® PIN technology

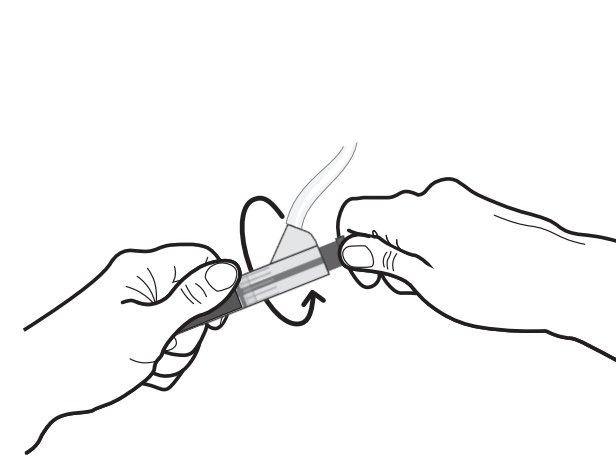
### NOTE

- These instructions apply when using the integrated cycler set or MTS.
- When disconnecting from the patient line, make sure the PIN is inserted into the catheter extension set.
- After the Pause/disconnection, always use a new sterile PIN connector.
- For any cycler inquiries or questions, please contact your home therapy nurse.



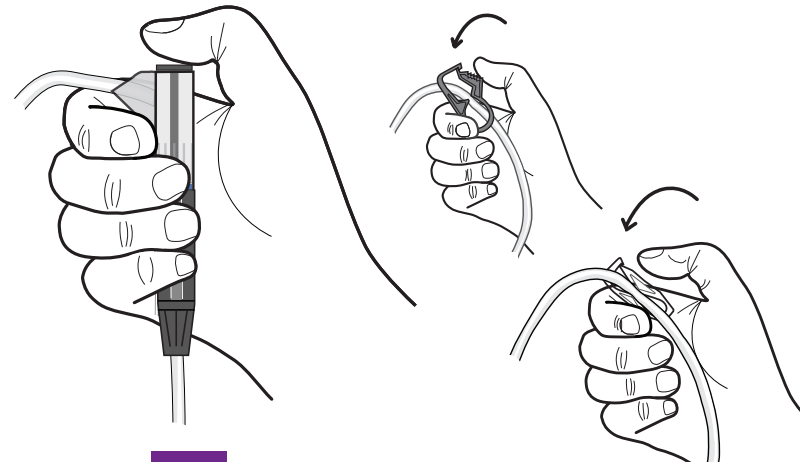
1

- Place a new stay•safe cap into the left notch of the organizer.



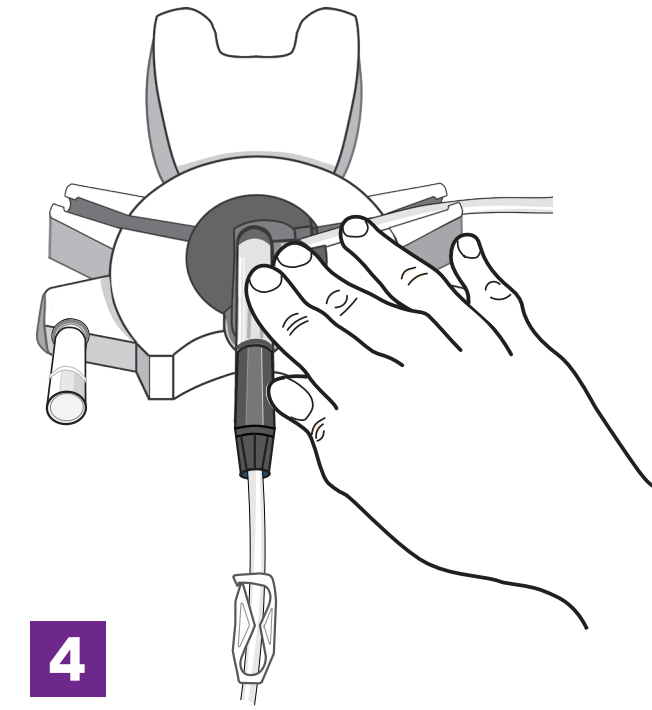
2

- Ensure the blue clamp on the patient line and white clamp on the catheter extension set are open. Turn the blue button on the PIN connector ¼ turn clockwise to unlock.



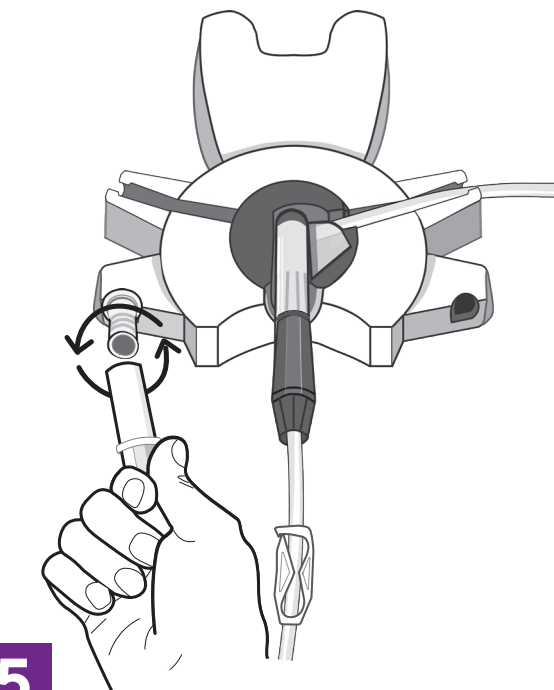
3

- Press the blue button to insert the PIN into the catheter extension set.
- Close the blue clamp on the patient line and white clamp on the catheter extension set.



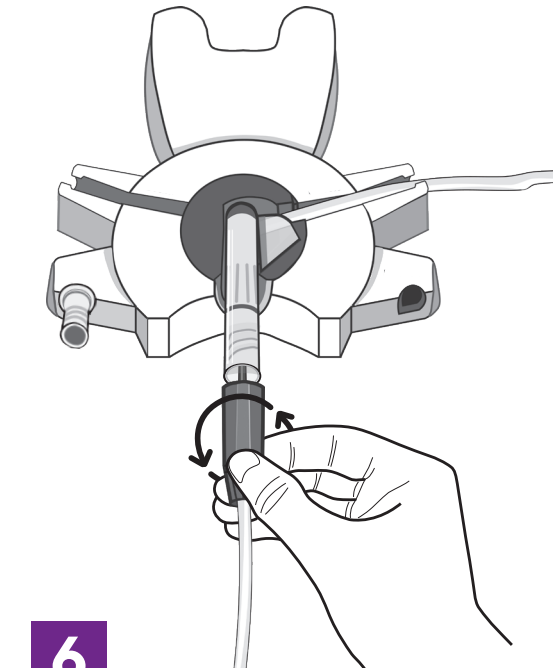
4

- Insert the PIN connector connected to the catheter extension set into the stay•safe clip of the organizer.



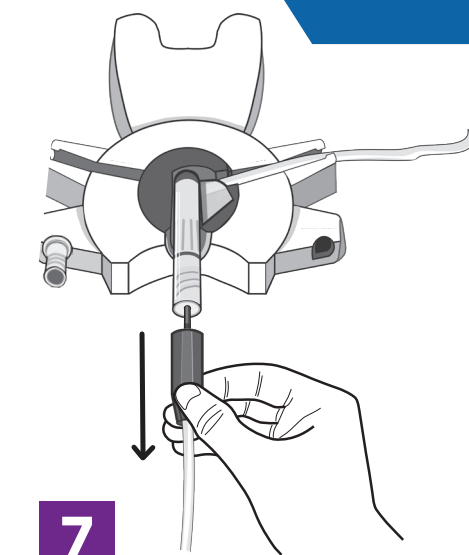
5

- Clean hands.
- Remove the protective cover from the stay•safe cap and set aside.



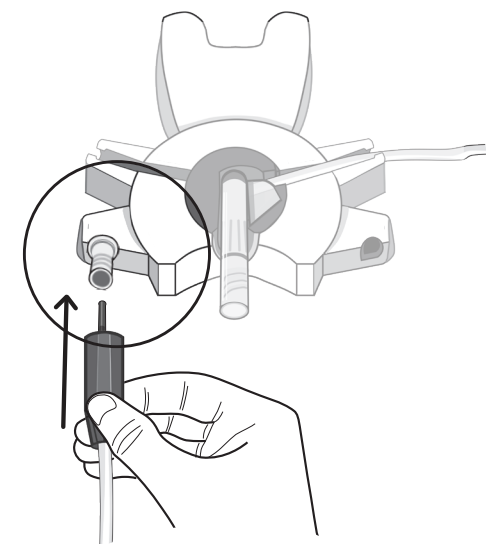
6

- Unscrew the catheter extension set from the PIN connector.



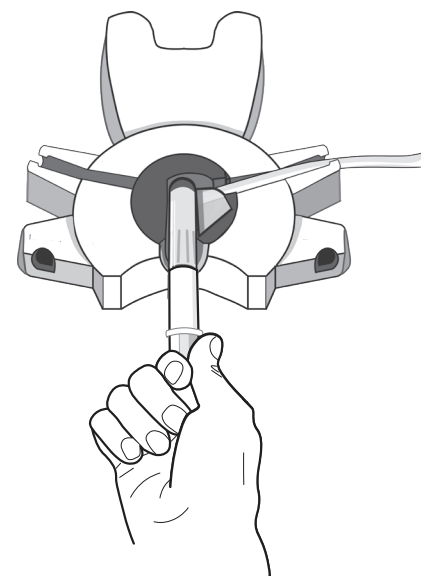
7

- Carefully pull the catheter extension set away from the PIN connector without bending or twisting the PIN.
- Hold the catheter extension set up slightly—be sure the PIN is visible.



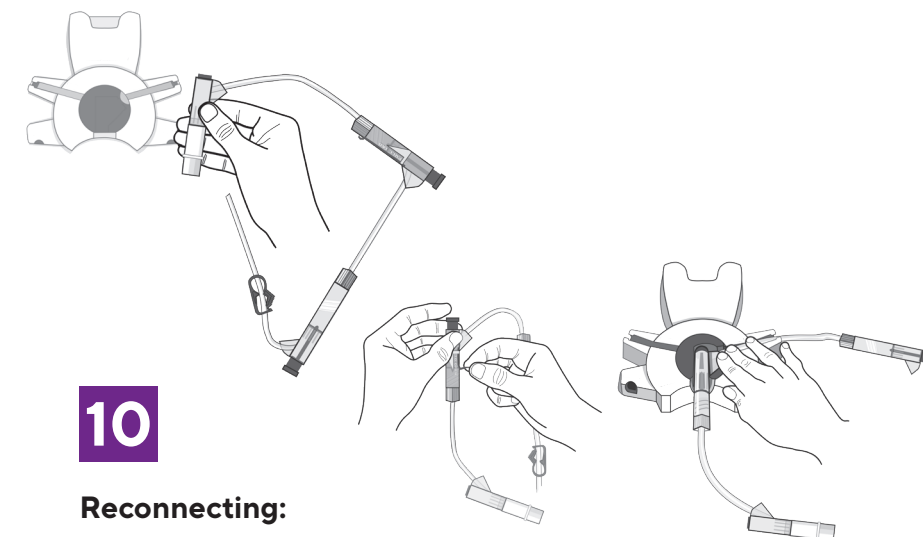
8

- Connect the catheter extension set to the new stay•safe cap.
- Press into the stay•safe cap while turning the catheter extension set to the right.
- Remove the catheter extension set from the organizer notch. Make sure the cap is tight.



9

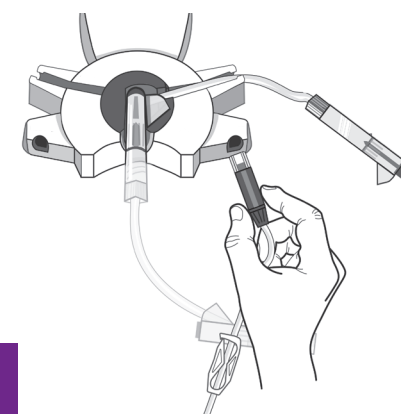
- Place the protective cover from the stay•safe cap on the PIN connector.
- Keep the used PIN connector in the organizer.



10

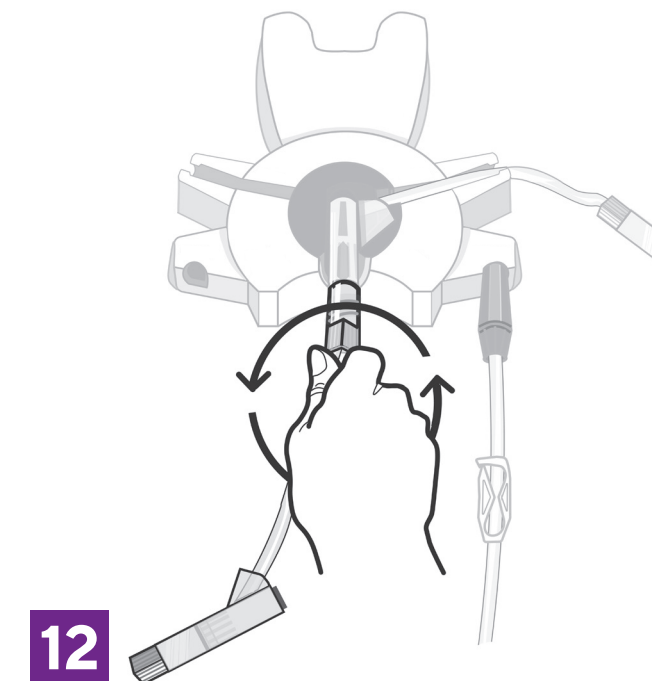
### Reconnecting:

- Mask face and wash your hands before reconnecting yourself to the cycler.
- Remove the used PIN connector from the stay•safe organizer clip.
- Remove the wrapper from the unused PIN connector using the red pull-tab, then insert the unused PIN connector into the stay•safe organizer clip.



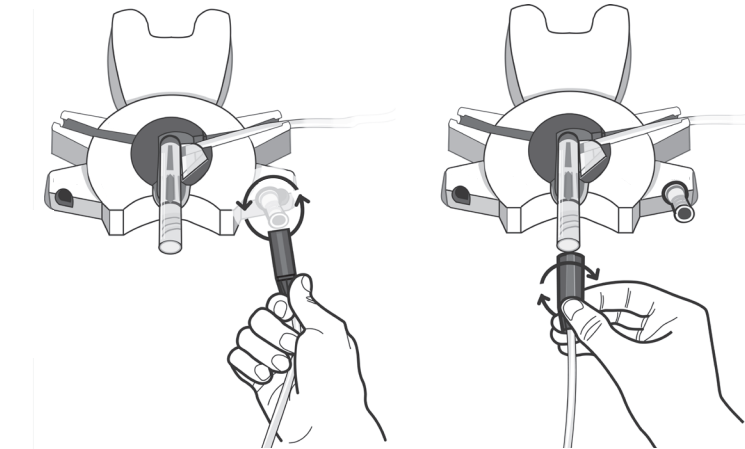
11

- Make the catheter extension set accessible.
- Clean hands.
- Make sure the catheter extension set clamp is closed.
- Insert the catheter extension set into the right notch of the organizer.



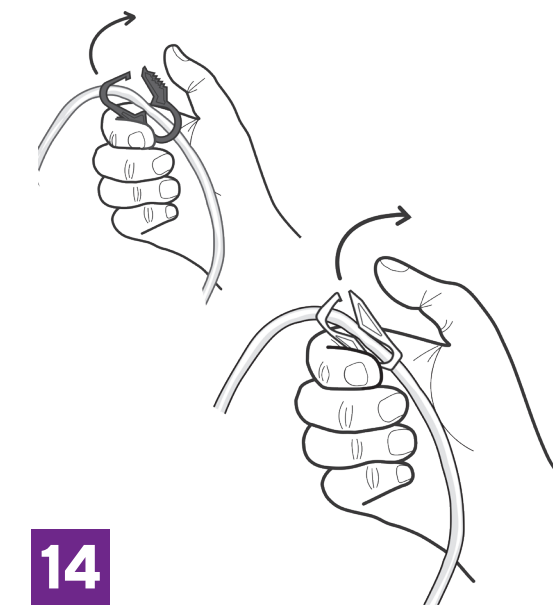
12

- Unscrew and remove the used PIN connector.



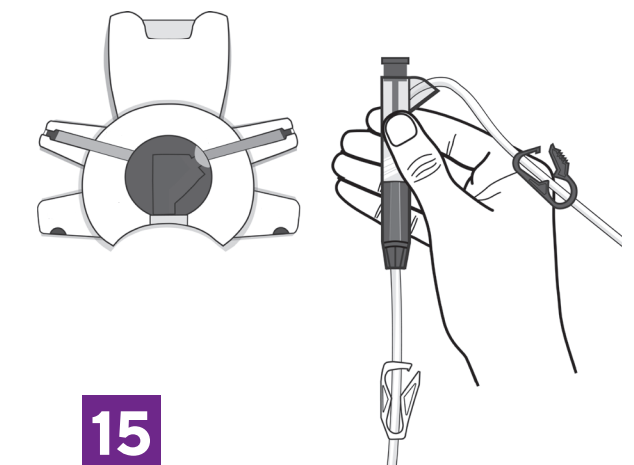
13

- Unscrew the catheter extension set from the stay•safe cap and connect it to the PIN connector.



14

- Open the blue clamp on the patient line and white clamp on the catheter extension set.



15

- After making this connection, you may remove your mask.
- Remove the PIN connector from the organizer.
- Follow the cycler's on-screen instructions to resume treatment.